

SERIES SRB 200ZHX1

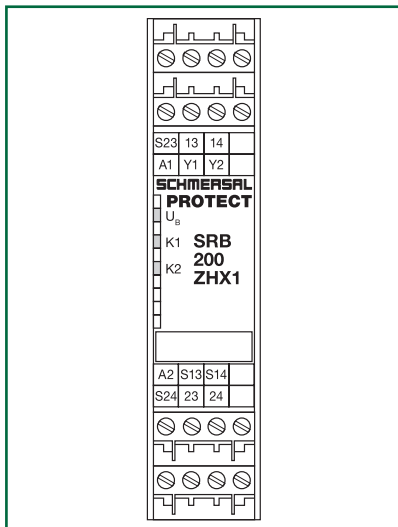
General Purpose Safety Controller
(for dry contact monitoring)



Description

The Model SRB 200ZHX1 is a “general purpose” unit designed for use with safety devices having Normally-Closed (N.C.) switching outputs. It is equipped for connection of one input device in dual-channel configuration. Both contacts must be actuated within 0.5 seconds. In addition it features feedback monitoring of positive-guided controlled loads, automatic reset and cross-short recognition.

Front View



TECHNICAL FEATURES

Input Voltage	24 V DC
# Discrete Input Devices Monitored	1 (Dual-Channel)
Compatible Input Device Contact Configuration	N.C. (dry contacts)
Number & Type Safety Outputs	2 N.O. (dry contacts)
Typical Input Devices Monitored	<ul style="list-style-type: none"> E-stops Interlock switches (N.C.)
Type of Reset	Automatic
Feedback Monitoring	Yes
LED Displays	Green LEDs for: <ul style="list-style-type: none"> K1-K2 (safety relay 1 & 2) U_B voltage at input (A1A2)
Conformity to Standards	UL, CSA, BG (CE-compliant)
Stop Category	0
Safety Control Category Rating Per EN 954-1	4
Selected Features	<ul style="list-style-type: none"> Cross-short recognition Hybrid fuse Feedback monitoring

AVAILABLE MODELS

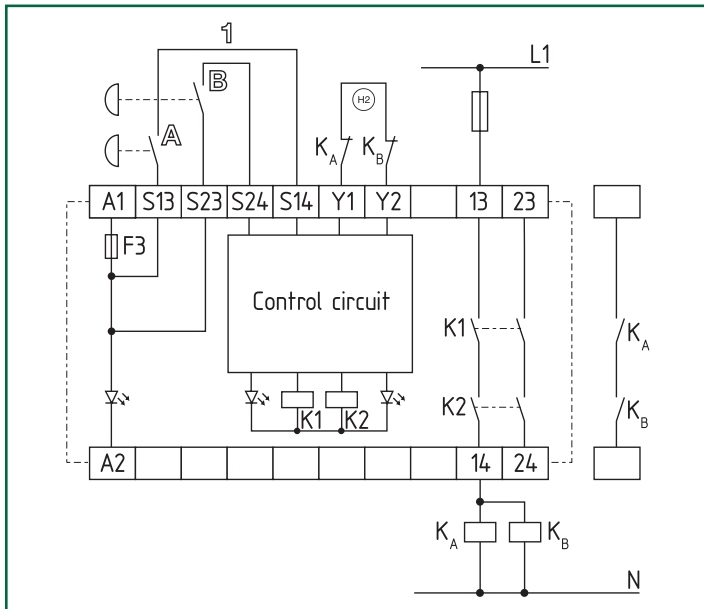
Model Number	Operating Voltage
SRB 200ZHX1	24V DC

SERIES SRB 200ZHx1

MECHANICAL SPECIFICATIONS

Dimensions (W x H x D)	22.5mm x 100mm x 121mm (1.8" x 3.9" x 4.75")
Ambient Operating Temperature Range	-25°C to +60°C (-13°F to +140°F)
Mechanical Life Expectancy	10 ⁷ switching cycles
Weight	220 gm
Mounting	DIN rail

Typical Wiring Diagram



ELECTRICAL SPECIFICATIONS

Operating Voltage	24 VDC -15% / +20%, residual ripple max. 160%
Power Consumption	1.6 W max.
Fuse (Input Power)	Internal electronic fuse, Tripping current > 0.6 A
Switching Capacity (Safety Outputs)	230 VAC, 6 A Resistive (inductive with suppressor circuit)
Fuse (Safety Outputs)	6 A Slow-blow (recommended)
Application Category	AC 15 / DC 13 : EN 60947-5-1
Pick-up Delay	≤ 50 ms
Drop-out Delay	≤ 35 ms
Contact Type & Materials	AgSnO, self-cleaning, positive-guided
Contact Resistance	100 mOhm (max. in new state)
Air Clearance & Creepage Distance	DIN VDE 0110-1, 4 kV/2
Cable Connections	<ul style="list-style-type: none"> • Self-lifting screw terminals for 13 to 20 AWG • Stranded or multi-core with wire end ferrule
Terminal Labeling	DIN EN 50 005 / DIN 50 013

Terminal Connections

